



Flat Bottom Silos



Plastic/Woodchip Storage Silos



Splayed Leg Silos



Loadout Silos



Hopper Bottom Silos



Grain Walling



Apache Hoppers



Smooth Wall Silos



Grain Tunnels



Sweep Augers



Dischargers



Aeration Laterals



Catwalks



Square Hoppers



Aeration Fans



Flat Roof Silos

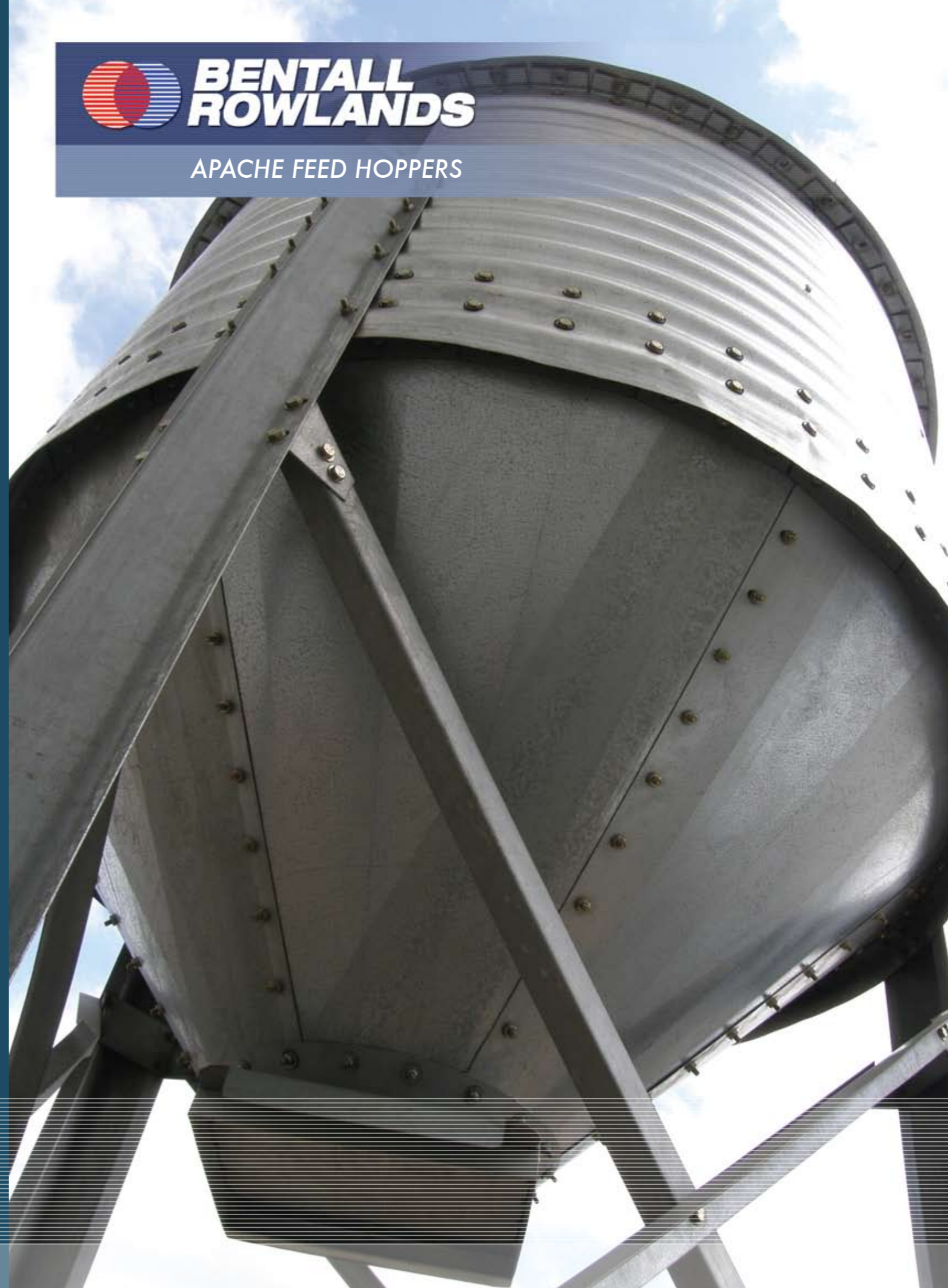


Turnkey Project

Tel: +44(0)1724 282 828
Fax: +44(0)1724 280 021
sales@bentallrowlands.co.uk
www.bentallrowlands.co.uk



APACHE FEED HOPPERS



2.0M, 2.5M, 3.0M and 4.0M Diameter Hoppers

2.0M DIAMETER

No. of Rings	DIM A	DIM B	Cubic Metres	Tonnes
0.5	592	2498	3.11	2.44
1	1185	3090	4.98	3.91
1.5	1777	3682	6.41	5.03
2	2370	4275	8.69	6.82
2.5	2962	4867	10.56	8.29
3	3555	5460	12.42	9.75

2.5M DIAMETER

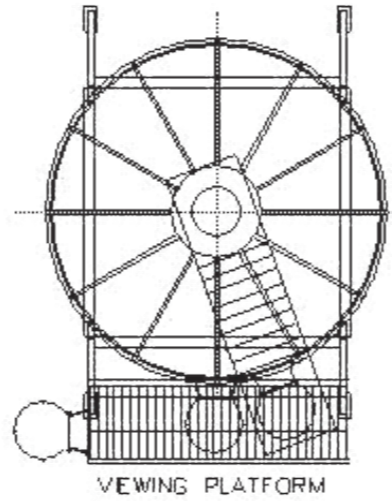
No. of Rings	DIM A	DIM B	Cubic Metres	Tonnes
0.5	592	2816	6.49	5.1
1	1185	3407	8.3	6.52
1.5	1777	4000	12.54	9.84
2	2370	4592	14.12	11.08
2.5	2962	5184	15.7	12.33
3	3555	5777	17.28	13.57

3.0M DIAMETER

No. of Rings	DIM A	DIM B	Cubic Metres	Tonnes
1	1185	3726	12.69	9.96
1.5	1777	4318	16.88	13.25
2	2370	4910	21.07	16.54
2.5	2962	5505	25.25	19.82
3	3555	6096	29.44	23.11
3.5	4147	6689	33.62	26.39
4	4740	7281	37.8	29.67

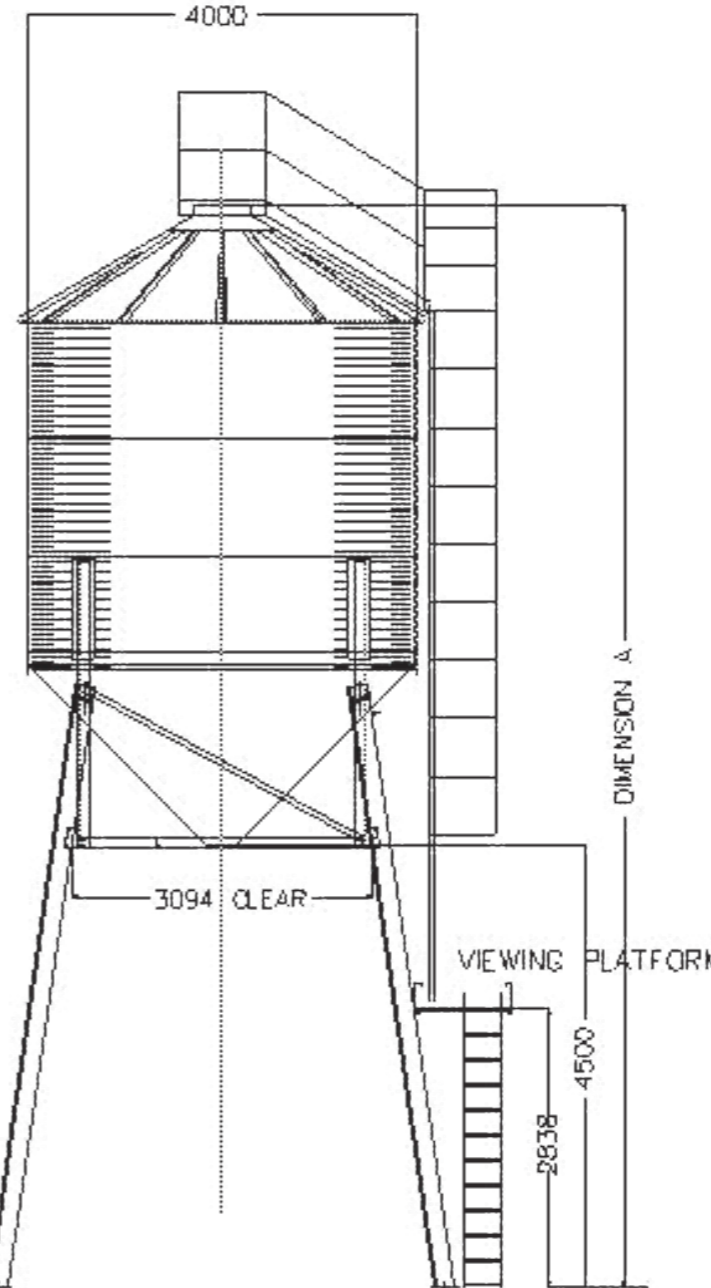
4.0M DIAMETER

No. of Rings	DIM A	DIM B	Cubic Metres	Tonnes
1	1185	4360	25.29	19.85
2	2370	5545	40.18	31.54
2.5	2962	6138	47.63	37.39
3	3555	6730	55.07	43.23
3.5	4147	7323	62.52	49.08
4	4740	7915	69.87	54.85
4.5	5333	8508	77.32	60.7
5	5925	9100	84.76	66.54



4.0M DIAMETER

No. of Rings	DIM A	Cubic Metres	Tonnage
1	8646	25.29	19.85
2	9831	42.73	33.54
3	11016	55.07	43.23
4	12201	69.87	54.85



Available upon request

- 30° pitch roof
- 60° hopper angle
- Filling and exhaust pipes

