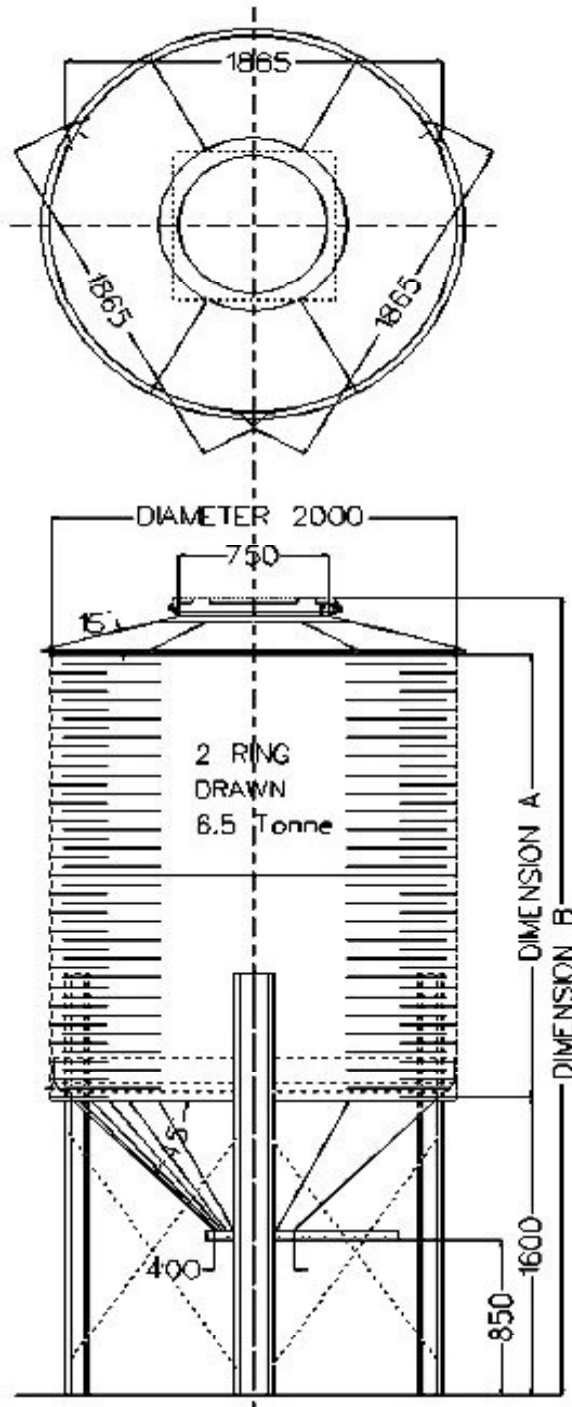


'APACHE' HOPPER

2.0M Diameter



No. OF RINGS	DIM A	DIM B	M ³	TONNES
0.5	592	2498	3.11	2.33
1	1185	3090	4.98	3.73
1.5	1777	3682	6.41	5.13
2	2370	4275	8.69	6.52
2.5	2962	4867	10.56	7.91
3	3555	5460	12.42	9.32

Tonnage based on material density of 750kg/m³